

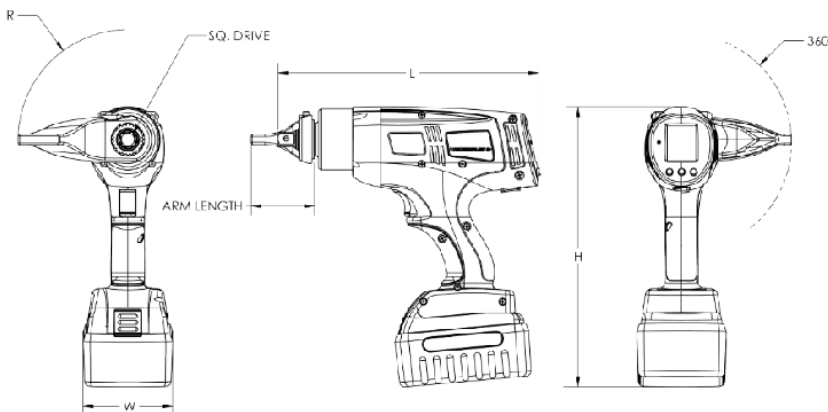


TTB .25

Introducing the TTB.25 18V Lithium Ion Powered Torque Gun

KEY FEATURES

- ❖ Brushless 18V Lithium Ion Battery Powered Torque Gun for fastening bolts from 3/8" - 3/4" requiring 25-250 Ft Lbs.
- ❖ Toss your impact gun – the TTB .25 Gun is free of cords and hoses, with minimal noise and vibration!
- ❖ Industry leading 18V, 4.1 Ah Lithium Ion Battery – this equals Double Life!
- ❖ Fast, repeatable torque.
- ❖ Advanced documentation feature allows for reporting, storage or additional analysis of torque in an exportable, Excel-friendly file.



Tool Model	TORC TTB .25
Height (H)	275.08 mm
Width (W)	87.88 mm
Length (L)	258.06 mm
Square Drive Size	1/2"
Weight	3.31 Kg
Torque Range	25–250 Ft Lbs
Run-down RPM	11.6 RPM
Final Torque RPM	8.7 RPM

The new TORC TTB .25 Gun is the world's first affordable precision bolting system with built-in data recording. Set your desired torque output on the display and pull the trigger to get precise, repeatable torque without excessive noise or vibration (rotation angle can also be programmed for simple torque and angle bolting). After tightening, gun automatically releases for fast movement from nut to nut. When the job is complete, connect the tool to your PC or tablet to export the recorded data.

With hundreds of available accessories, the TTB .25 Gun is the answer to your most challenging bolting jobs!

