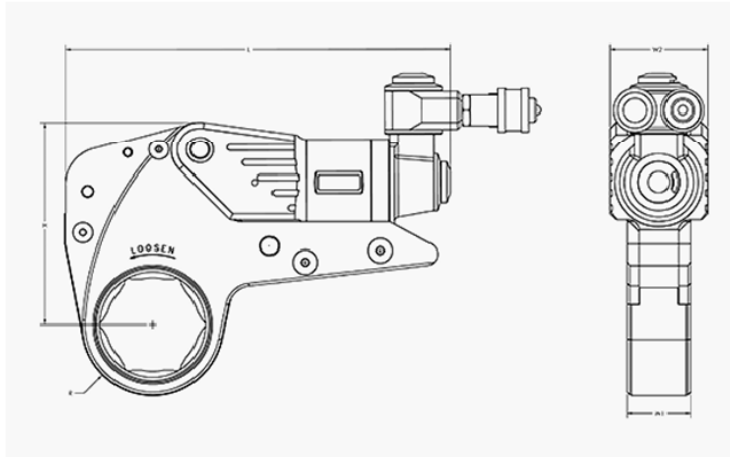




TTR Limited Clearance Torque Tool

The TORC TTR is modelled of the world's best-selling limited clearance industrial bolting solution with over one hundred thousand in use around the world. The signature purple housing has represented quality, durability and reliability on job sites in every major industry. From the tallest roller coasters to the world's largest bridges, the TTR has the power to get the job done.



MODEL	LENGTH (L)	HEIGHT (H)	TOOL WIDTH (W1)	TOOL WIDTH (W2)	RADIUS (R)	MIN. TORQUE	MAX TORQUE	WEIGHT (without Link)
TTR-2	7.33" 186.2mm	4.02" 102.1mm	1.26" 32.0mm	1.94" 49.3mm	1.03" to 1.98" 26.2mm to 50.3mm	243 Ft Lbs 329 Nm	1,687 Ft Lbs 2,287 Nm	2.05 Lbs 0.9 Kg
TTR-4	10.06" 255.5mm	5.36" 136.1mm	1.68" 42.7mm	2.58" 65.5mm	1.32" to 2.67" 33.5mm to 67.8mm	580 Ft Lbs 786 Nm	3,855 Ft Lbs 5,226 Nm	4.25 Lbs 1.9 Kg
TTR-8	12.08" 306.8mm	6.69" 169.9mm	2.08" 52.8mm	2.23" 56.6mm	1.78" to 2.91" 45.2mm to 73.9mm	1142 Ft Lbs 1549 Nm	8,149 Ft Lbs 11,049 Nm	7.15 Lbs 3.3 Kg
TTR-14	14.14" 359.6mm	8.04" 204.2mm	2.5" 63.5mm	3.63" 92.2mm	2.62" to 3.48" 66.6mm to 88.4mm	2010 Ft Lbs 2725 Nm	13,398 Ft Lbs 18,165 Nm	11.3 Lbs 5.1 Kg
TTR-18	14.41" 366.0mm	9.08" 230.6mm	2.82" 71.6mm	4.38" 111.3mm	2.58" to 4.21" 65.5mm to 106.9mm	2676 Ft Lbs 3628 Nm	17,843 Ft Lbs 24,191 Nm	14.85 Lbs 6.8 Kg
TTR-30	16.8" 426.7mm	10.71" 272.0mm	3.33" 84.6mm	5.17" 131.3mm	3.02" to 4.71" 76.7mm to 119.6mm	4578 Ft Lbs 6207 Nm	30,982 Ft Lbs 42,005 Nm	23.8 Lbs 10.8 Kg



TotalTORC Pty Ltd

ABN 22 612 301 096

dave@totaltorc.com.au 0437 883751