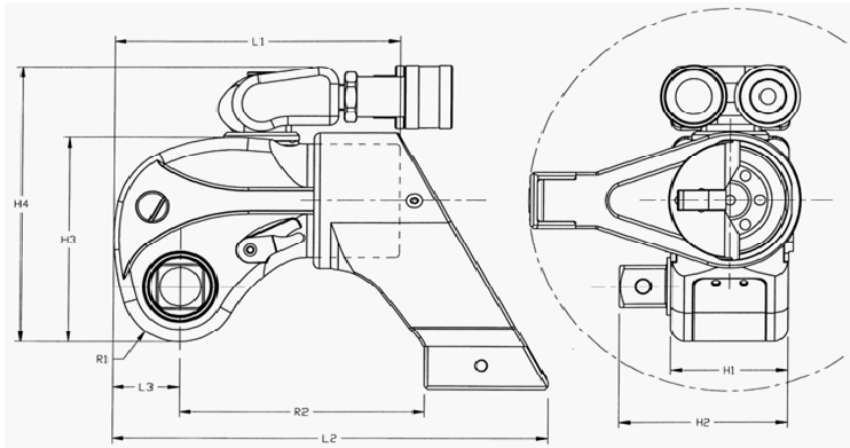




TTS Square Drive Torque Tool - Specifications

The TORC TTS is modelled of the world's best-selling industrial bolting system with over one hundred thousand in use around the world. The signature purple housing has represented quality, durability and reliability on job sites in every major industry. From the tallest roller coasters to the world's largest bridges, the TTS has the power to get the job done.



MODEL	SQ	TORQUE	L1	L2	L3	H1	H2	H3	H4	R1	R2	Weight
MXT-1	3/4"	1340 Ft Lbs 1817 Nm	4.88"	7.33"	1.13"	1.97"	2.85"	3.66"	4.9"	0.98"	4.12"	3.95 Lbs
MXT-3	1"	3230 Ft Lbs 4379 Nm	6.34"	9.6"	1.51"	2.63"	3.81"	4.88"	6.12"	1.31"	5.32"	8.3 Lbs
MXT-5	1 1/2"	5590 Ft Lbs 7578 Nm	7.61"	11.52"	1.81"	3.16"	4.92"	5.85"	7.22"	1.57"	6.4"	14.2 Lbs
MXT-10	1 1/2"	11520 Ft Lbs 15617 Nm	9.51"	14.38"	2.26"	3.95"	5.62"	7.32"	8.8"	1.96"	7.97"	24.8 Lbs
MXT-15	2 1/2"	15018 Ft Lbs 20358 Nm	10.55"	15.29"	2.51"	4.38"	7"	8.06"	9.67"	2.18"	8.63"	36 Lbs
MXT-20	2 1/2"	19760 Ft Lbs 26787 Nm	11.41"	17.27"	2.71"	4.73"	7.1"	8.78"	10.24"	2.36"	9.58"	43.4 Lbs
MXT-35	2 1/2"	37100 Ft Lbs 50293 Nm	14.03"	21.23"	3.33"	5.82"	8.32"	10.79"	12.36"	2.9"	11.74"	77.45 Lbs

